

10GPlus Shielded Keystone Jack



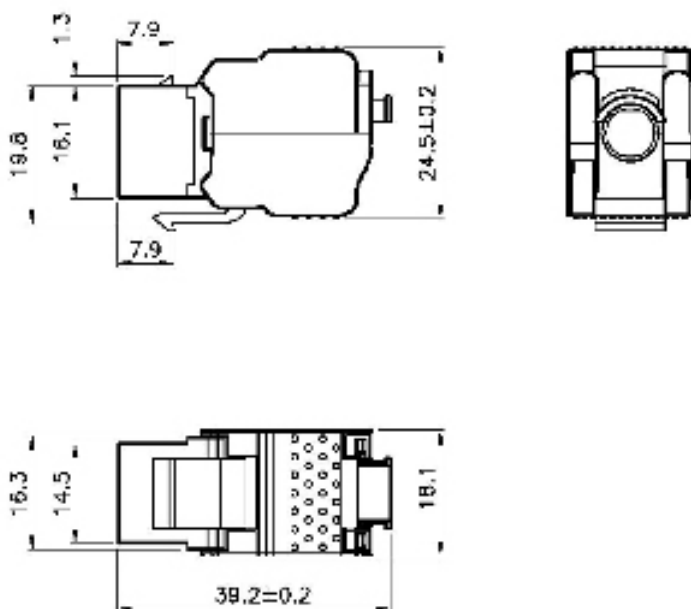
SHIELDED KEYSTONE JACK

We are pleased to introduce our new 10GPlus Keystone Jack. This jack combines easy installation with a premium electrical performance. The jack installed in channels comprising 10GPlus components complies with all of the performance requirements currently defined in the draft standards for Class EA systems, it is also fully backwards compatible to Class E & D. It is ready for the 10 Gigabit Ethernet application. The innovative housing design enables fast and efficient wire terminations without the need for a separate punch down tool. The products' compact dimensions allow 24 jacks to be positioned in one row in a 1U panels and 2 'side by side' in European style 45 x 45 outlets, allowing clear and simple port labeling.

PRODUCT DESCRIPTION:

The 10GPlus Snap-In-Jack offers 500MHz component performance and quick tool-free wire termination with push down wire manager. The metal housing of the Keystone Jack is designed to provide a superior electromagnetic shielding performance. The jack is fully compatible with all our UK and continental style faceplates and products. Jacks are supplied with installation instructions.

10GPlus Shielded Keystone Jack



PRODUCT CHARACTERISTICS:

Outlet Style:	Shielded Keystone type with Unkeyed RJ-45 ports
Cable Entry:	Rear
Hole Plate Thickness:	1.6mm Max
Body Material:	Shield – Bronze, nickel-plated Housing – ABS/PC, UL94-V2 rated Body – Zinc Die-casting, nickel-plated
Jack Contacts:	Phosphor Bronze
Plating:	50 µm of gold over 40 µm of nickel
Punch Down Blocks:	Tool-free with push down cable manager for wire AWG 22-27 solid and stranded
Wire Terminations:	Tool-free with CAP
IDC Contacts:	Phosphor Bronze with 50 µm of plated tin
Wiring Standard:	EIA/TIA 568A & EIA/TIA 568B
Conformance:	Compliant with all the current draft ClassEA channel standards, compliant with Class E and D - can support ClassEA performance levels in a channel configuration

Description	Product Part Number
Augmented Category 6 Shielded Jack	AC6JAKS000CR

Compatible System Products:

Description	Product Part Number
24 Port In-Line Snap-in-Jack Panel	MMCPNLX24SIJ2MIL
24 Port Staggered Snap-in-Jack Panel	MMCPNLX24SIJ2
24 Port Angled Snap-in-Jack Panel	MMCPNLX24SIJ2MAN

The information contained in this document is valid and correct at the time of issue. However, we reserve the right to modify details without notice in the light of subsequent Standard / Specification changes and ongoing technical developments.
© Brand-Rex Limited 2007

Literature Ref: 10G6KEYJ/F/UK/1 1007

viewfield industrial estate
glenrothes, fife
KY6 2RS
united kingdom

tel: +44 (0) 1592 772124
fax: +44 (0) 1592 775314
web: www.brand-rex.com

