



AP12MP01 – 12 V DC / 4 A multiple power supply

Specifications

Input voltage: 100 ~ 240 V AC, 80 W max.

Output voltage: 11,5 V DC ~ 13,7 V DC, adjustable

Output current: 4 A total

Power outputs: 8 x screw terminal, single protected by automatically resettable PT 1,1 A fuse

Housing: coated steel

Weatherproof rating: IP 20

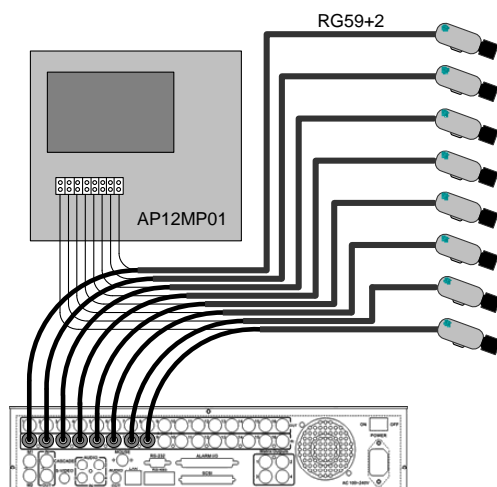
Ambient temperature: 0°C ~ +50°C

Dimensions: 223 (W) x 200 (H) x 60 (D) mm

Weight: 1,5 kg

Features

- 8 x 12 V DC power output
- All outputs are protected by automatically resettable PTC fuses
- Adjustable output voltage 11,5 ~ 13,7 V DC
- Universal input power 100 ~ 240 V AC



AP12MP01_db_en_rev00