



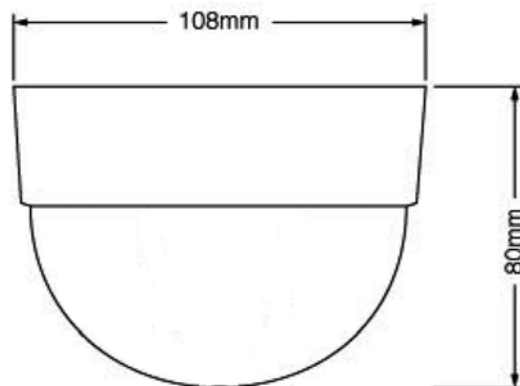
## ED 300 A – 1/3" colour mini dome camera, high resolution

### Specifications

**Sensor:** 1/3" SONY CCD  
**Picture element:** 752 x 582 (PAL)  
**Horizontal resolution:** 480 TV lines  
**Sensitivity:** 1,0 lux / F = 1.2  
**Video output:** 1 Vp-p composite PAL  
**S/N ratio:** over 48 dB  
**Gamma correction:** 0,45  
**Synchronisation:** internal  
**Back light compensation:** on / off  
**Auto white balance:** yes  
**AGC:** on / off  
**Electronic shutter:** 1:50 ~ 1:100.000  
**Lens:** DC varifocal lens, f=2,6~6,0mm, F=1.4~1.8  
**Colour:** black or white base

**Power source:** 12 V DC +/- 10%, 300 mA /  
24 V AC, 200 mA

**Ambient temperature:** 0°C ~ +50°C  
**Dimensions:** 108 (D) x 80 (H) mm  
**Weight:** 460 g



ED300A\_db\_en\_rev02