



## EQ 2700 – 1/4" day / night camera with 27x motorzoom lens, high resolution

### Specifications

**Signal system:** PAL  
**Scanning system:** 2:1 interlaced  
**Scanning frequency (H):** 15.625 KHz  
**Scanning frequency (V):** 50 Hz  
**Sensor:** 1/4" CCD  
**Total pixels no.:** 795 (H) x 596 (V), 470K  
**Effective pixels no.:** 752 (H) x 582 (V), 440K  
**S/N ratio:** over 48dB  
**Horizontal resolution:** more than 450 TV lines  
**Lens:** aspherical 27x zoom, f = 3,25 ~ 88,0mm, F 1.5 (W), F 3.8 (T) Video AF

**Minimum autofocus distance:** WIDE 0,01m, TELE 1,0m  
**Minimum illumination:** 1 lux (30IRE), AGC on, 0,01 lux with DSS Digital Slow Shutter, 0,05 lux night mode

**Digital zoom:** 10 x (total zoom ratio x270)  
**Synchronisation:** internal  
**Electronic shutter:** 1:50 ~ 1:10.000  
**Video output:** 1 Vp-p composite PAL, BNC, S-Video mini DIN

**Camera control:** local, DC control, RS-232, remote key

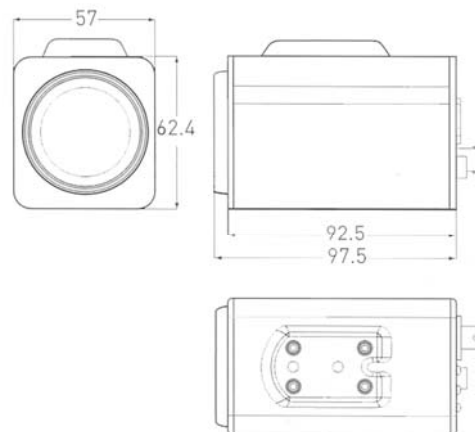
**Zoom speed:** 3 sec.  
**Zoom/focus preset:** 64  
**Zoom mode:** manual, push auto, auto

**Power source:** 9 ~ 15 V DC  
**Power consumption:** 5,3 W max.

**Ambient temperature:** 0°C ~ +45°C  
**Operating humidity:** 0% RH ~ 60% RH  
**Dimensions:** 57 (W) x 62,4 (H) x 97,5 (D) mm  
**Weight:** 330 g

### Features

- 27x optical and 10x digital zoom
- automatic IR cut filter
- high IR sensitivity
- aspherical zoom lens
- integrated motion detection
- WDR – Wide Dynamic Range
- DSS – enhanced light sensitivity with Digital Slow Shutter function
- remote control with RS-232 interface and DC lens remote control



EQ2700\_db\_en\_rev04