



EZ 200 E – 1/3" weatherproof colour camera, standard resolution

Specifications

Sensor: 1/3" SONY CCD
Picture element: 500 x 582 (PAL)
Horizontal resolution: 340 TV lines
Sensitivity: 0,3 lux / F = 1.2
Video output: 1 Vp-p composite PAL
S/N ratio: over 48 dB
Gamma correction: 0,45
White balance: automatic
Back light compensation: yes
AGC: yes
Synchronisation: internal
Electronic shutter: 1:50 ~ 1:100.000
Lens: f = 4,3mm (further lenses upon request)
Weatherproof rating: IP 66

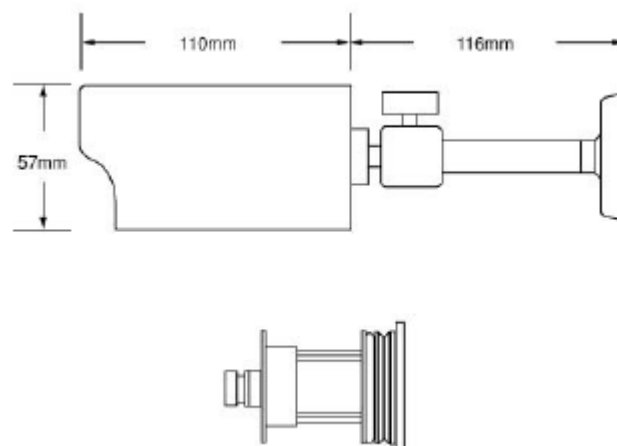
Power source: 12 V DC +/- 10%, 200 mA

Ambient temperature: -10°C ~ +50°C

Dimensions: 57 (D) x 110 (L) mm

Weight: 385 g

Bracket: zink diecasted, silver colour, included



EZ200E_db_en_rev00