



EZ 430 - 1/3" outdoor bullet IR camera with motorised varifocal lens



Specifications

Pickup device: 1/3" Sony super HAD colour CCD

Picture element: 752 x 582 (PAL)

Horizontal resolution: 520 TV lines

Sensitivity: IR LED OFF: 0,4 Lux / F=1.2,
IR LED ON: 0 Lux

Lens: EZ 430 V1 – motorised DC varifocal lens 2,9 ~ 10mm, F = 1.2

EZ 430 V2 – motorised DC varifocal lens 9~22mm, F = 1.2

Video output: BNC VBS, 1 V p-p / 75 Ohm

IR Distance: max. 15 ~ 30 m (depending on reflection in scenery)

IR wavelength: 850nm

S/N ratio: over 48 dB (AGC OFF)

Gamma correction: 0,45

Back light compensation: yes

White balance: yes (2500 ~ 9000°K)

AGC: yes

Synchronisation: internal

Weatherproof rating: IP 66

Power source: 12 V DC / 24 V AC

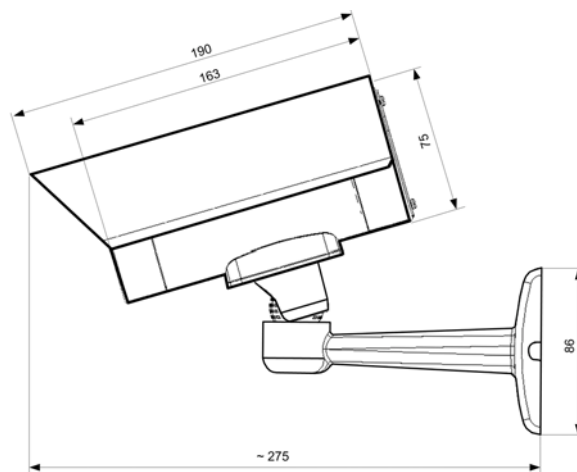
Power consumption: 12 W max (IR LED ON)

Ambient temperature: -10°C ~ +50°C

Humidity: 20~85%

Dimensions: 75 (diam.) x 163 (L) mm

Weight: 1,1 Kg



EZ430_db_en_rev00