



## EZ 550 - 1/3" outdoor long range IR camera with motorised lens 6~50 mm

### Specifications

#### Camera

**Pick up device:** 1/3" Sony super HAD interlaced CCD  
**Pixel effective:** NTSC: 768 (H) x 494 (V); PAL: 752 (H) x 582 (V)  
**Sensitivity:** IR LED OFF :0.2 Lux / F=1.2 ,IR LED ON:0 Lux  
**Lens:** varifocal 6~50mm F1,6  
**Video output:** BNC socket, composite 1 V p-p / 75Ω  
**Video output resolution:** 530 TVL colour / 560 TVL b/w  
**IR Distance:** up to 50 m (depending on reflection in scenery)  
**IR wavelength:** 850nm  
**Motion detection:** built-in motion detection, 4 zones  
**RS-485:** RS-485 interface half-duplex (1: RS485+, 2: RS485-)  
**Protocols:** EverFocus, Pelco - D

#### Power

**Power supply:** AC100V~240V 50/60 Hz  
**Power consumption:** 15W max (IRLED/ON)  
**Power output:** DC12V / 1,5 A for external IR illuminator

#### Physical

**Dimensions:** 1000(OD)\*2200mm (w/o sunshield)  
**Weight:** 1,6 Kg

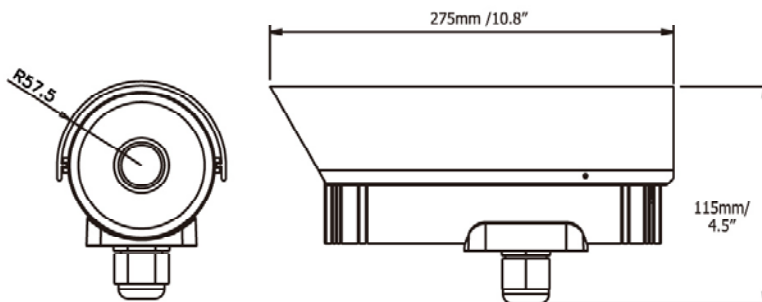
#### Environmental

**Environmental temperature:** -40°C ~ +50°C  
**Humidity:** 20~85%

### Features

- motorised DC varifocal lens 6-50 mm
- 42 high-power IR LED with 35° beaming angle
- internal cable installation
- solid outdoor housing with integrated cable management solution
- camera module with high resolution technology
- setup via OSD with mini joystick
- RS-485 interface for remote setup / control
- 5 adjustable privacy zones
- local alarm input / output
- motion detection with 5 zones
- optional additional IR illuminators (2x)

### Dimensions



EZ550\_db\_en\_rev00