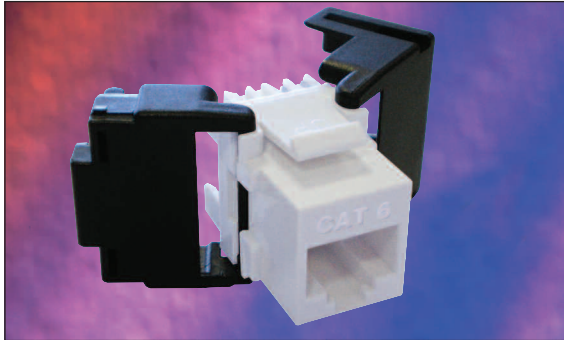


## Excel Category 6 Unshielded Twisted Pair (U/UTP) Keystone Jack – Tool-less



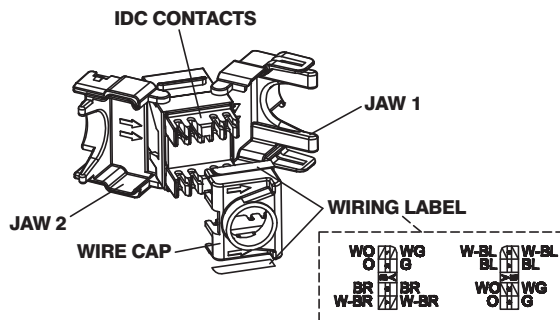
- 25 year system warranty
- Tool-less Termination
- Supports Gigabit Ethernet

### Features

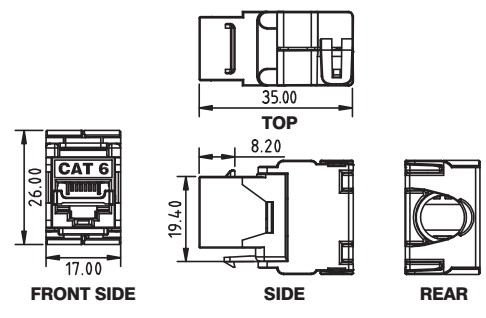
- Category 6 compliant
- Two piece, easy to use design
- Tool-less termination
- Suitable for patch panel and faceplate mounting
- Suitable for installation in 37mm deep back box with bevelled faceplate
- Lifetime Product Warranty
- 25 year system warranty

### Product Overview

The Excel Category 6 Unshielded Twisted Pair (U/UTP) Keystone Jack, is an independently verified tool-less termination RJ45 socket suitable for mounting in range of housings from patch panels, faceplates and shutters to sub floor boxes, and work area distribution enclosures. The socket itself is housed in a high quality ABS plastic housing, which opens at the rear in a butterfly manner to reveal the IDC termination points. Once the conductors of the cable to be terminated are fed into a wire cap the process is completed by snapping the ‘butterfly wings’ together with minimal, but firm pressure. A choice of Patch Panel frames with either 16 or 24 port density in both black and chrome are available.



A. Rear view of Keystone



B. Keystone profiles. Dimensions in mm



C. Rear view of Keystone with wire cap attached

## Performance Overview

The Excel Category 6 keystone jack is designed and manufactured to comply with the requirements of Category 6/Class E as defined in ISO 11801 2nd edition, and EIA/TIA568B. A range of performance characteristics are tested up to 250MHz including return loss, attenuation, and near end cross talk (NEXT) and far end cross talk (FEXT). Both worst case and power sum test methods are applied. The keystone jack is fully interoperable and backward compatible with Category 5e products.

## Performance / Specification Table

Specification:	Category 6 ISO Class E 2002 EIA/TIA 568
Wiring Specification:	TIA 258A/568B
Dimensions:	17mm wide x 35.15mm deep x 25.20mm high
Installation Recommendation:	Suits minimum of 37mm back boxes when installed with bevelled faceplate
RJ45 Jack:	Min. life 750 insertions
RJ45 Jack:	50 Micron Gold Plated contact pins
NEXT at 250MHz	Category 6 39.1dB @250MHz (Power Sum)
FEXT at 250MHz	Category 6 27.0dB @250MHz (Power Sum)

## System Warranty

When installed with Excel Category 6 cables by an accredited Excel Cabling Partner this product is supported by a comprehensive 25 year product and applications warranty.

## Typical Applications

- 1000Base-Tx
- 10Base-Tx
- 622Mbps ATM
- 100Base-Tx
- 155Mbps ATM

## Part Number Information

Part No.	Description
100-211	Excel Category 6 U/UTP Butterfly Style Tool-less Keystone Jack - White
100-212	Excel Category 6 U/UTP Butterfly Style Tool-less Keystone Jack - Black

## Part Number Information – Mounting Hardware

Part No.	Description
100-014	Flat Shuttered facia, 50x25mm, Euromod
100-018	Flat Shuttered facia, 38x22.5mm, 6c
100-175	Shutter to suit Keystone Jack, Angled, 50 x 25mm
100-025	Unloaded 16 port Black patch panel frame
100-026	Unloaded 24 port Black patch panel frame
100-027	Unloaded 16 port Chrome patch panel frame
100-028	Unloaded 24 port Chrome patch panel frame

NB. All patch panels are supplied with cage nuts, earth cable, and rear management tray



Excel is a complete, end-to-end networking solution, offering exceptional performance and support, manufactured to European quality standards and covered by one warranty.

Contact us at [sales@excel-networking.com](mailto:sales@excel-networking.com)

[WWW.EXCEL-NETWORKING.COM](http://WWW.EXCEL-NETWORKING.COM)