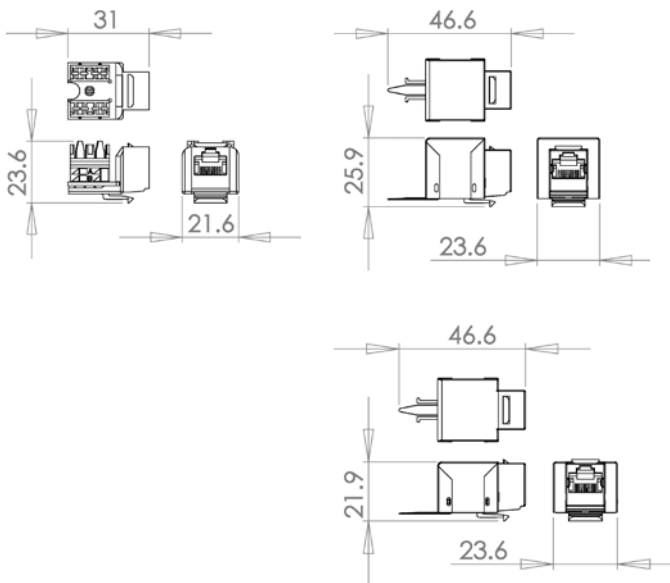




Brand-Rex Copper Connectivity - GigaPlus Jacks

Category 5e Snap-In-Jacks - Shielded and Unshielded



PRODUCT DESCRIPTION:

GigaPlus Shielded and Unshielded Snap-In-Jacks offer true Category 5e component performance. The jacks are backward compatible and also fully compatible with all our UK and Continental style faceplates and products. Each jack is supplied with a short form installation instruction and cable tie.

PRODUCT CHARACTERISTICS:

- Outlet Style: Shielded / Unshielded
Keystone type with
Unkeyed RJ-45 ports
- Cable Entry: Top and Rear
- Hole Plate Thickness: 1.60mm max
- Body Material: Impact modified PBT
UL94 - V0 rated
- Jack Contacts: Phosphor Bronze
- Plating: 50 µm gold over
100 µm nickel
- Punch Down Blocks: 110 or LSA style IDC
- IDC Contacts: Phosphor Bronze
- Wiring Standard: EIA/TIA 568A/B
- Conformance: ISO/IEC 11801 : 2002
ANSI/TIA/EIA 568B.2 : 2002
EN50173-1 : 2002

	Unshielded	Shielded
LSA Style - Black	GPCJAKU0K2	GPCJAKF0K2
LSA Style - White	GPCJAKU0K3	-
110 Style - Black	GPCJAKU012	GPCJAKF012
110 Style - White	GPCJAKU013	-

Other colours available on request.