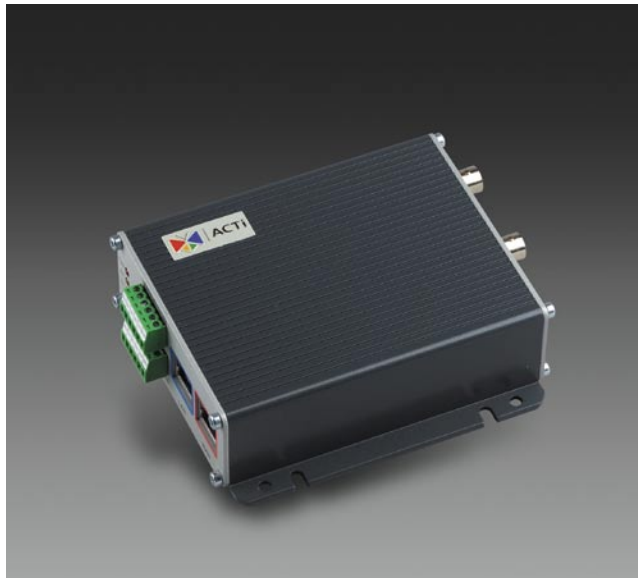




Wallmount Type MPEG-4 Video Server with Two Way Audio Option

SED-2130/2140

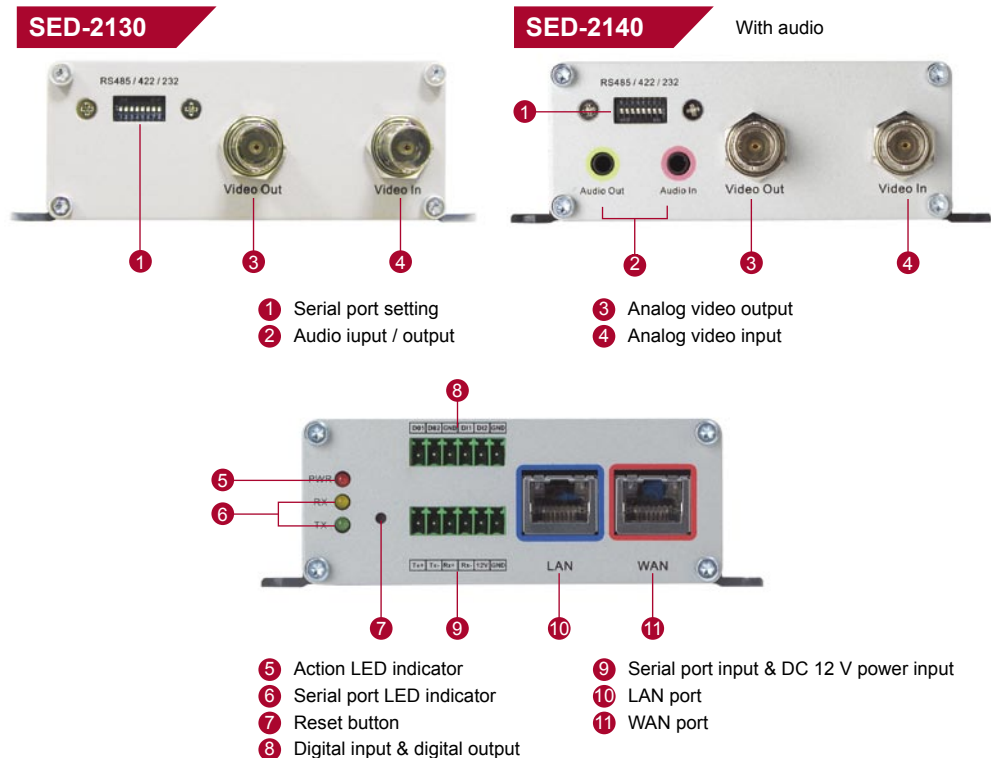


- MPEG-4 ASP compliant compression
- CIF up to Full D1 resolution at 30/25 FPS
- Dual MPEG-4 video stream output via LAN and WAN (PPPoE supported) ports at the same time
- QoS enabled (L3) video streaming
- Digital time code embedded
- Motion detection
- Bi-directional audio supported (for SED-2140 only)
- Isolated digital input and output supported

► Transmit analog image into digital data with ultra high resolution

The SED-2130/SED-2140 is a high resolution, Ethernet (LAN and WAN) ready digital video transmission device. It is specially designed to meet the increasing need for high quality, high reliability, real-time video streaming used in the field of surveillance and security.

The SED-2130/SED-2140 is based on Arm9 SoC, MPEG-4 ASP compliant compression technology to compress the video stream and transmit them via LAN and WAN. It supports automatic/manual frame rate control for concurrent video stream accessing in different bandwidth. The SED-2130/SED-2140 also provides RS-485 or RS-422 or RS-232 and digital I/O data transmission over Ethernet for product integrators or solution providers. With this system, users can build digital remote surveillance systems easily. SED-2140T model can support industry temperature from -30 to 70 °C (-22 to 158°F).





SED-2130/2140

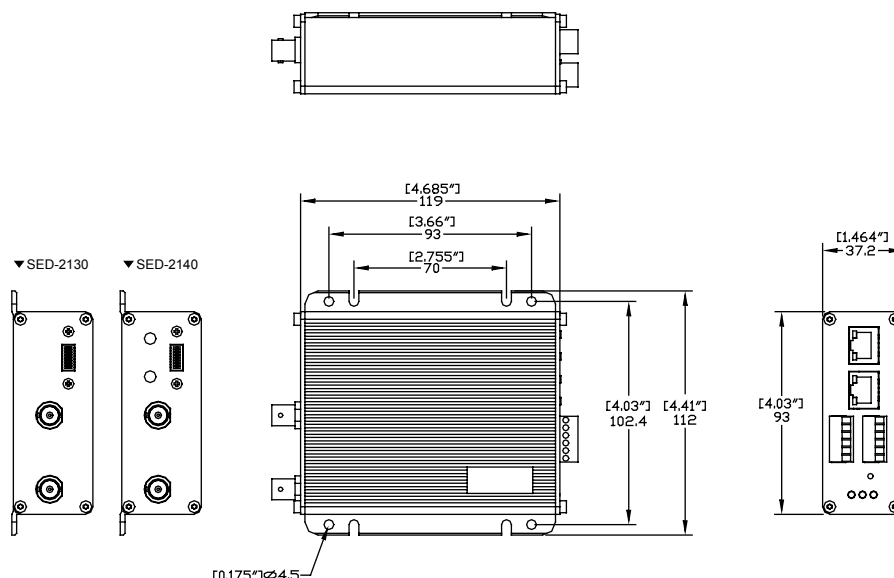
PRODUCT SPECIFICATION

		SED-2130	SED-2140
Video (Compression)	Compression	MPEG-4 ASP compliant compression	
	Resolution	Full D1 (720 x 480 in NTSC, 720 x 576 in PAL); CIF (352 x 240 in NTSC, 352 x 288 in PAL); QCIF (160 x 112 in NTSC, 176 x 144 in PAL)	
	Bit Rate	28 K ~ 3 M bps	
	Image Frame Rate	30 fps at full D1 resolution (NTSC); 25 fps at full D1 resolution (PAL)	
Video Input	Composite Input	CVBS, 1.0Vp-p with 75 Ω loading, BNC connector	
Video Output	Composite Output	CVBS, 1.0Vp-p with 75 Ω loading, BNC connector	
Audio Input	Compression	N/A	8 kHz, Mono, PCM
	Audio Line Input	N/A	Unbalanced, 1.0 Vpp, 1 Vrms, 3.5 mm Jack
Audio Output	Compression	N/A	8 kHz, Mono, PCM
	Audio Line Output	N/A	Unbalanced, 1.0 Vpp, 1 Vrms, 3.5 mm Jack
Alarm	Input	2, TTL, terminal block	
	Output	2, TTL, terminal block	
Remote Control	Serial Port	RS-485: half duplex, terminal block; RS-422: full duplex, terminal block; RS-232: full duplex, terminal block	
External I/O	Reset Button	Factory default	
	LED	System status	
Network	LAN Port	Ethernet (10/100Base-T), RJ-45 connector	
	WAN Port	Ethernet (10/100Base-T), RJ-45 connector	
	Protocol	TCP, UDP, IP, HTTP, DHCP, PPPoE, RTP, RTSP	
Software	Web Browser	Microsoft Internet Explorer 6.0 or above	
	SDK	ActiveX control, C SDK	
	Security	Password protection : configured by the administrator	
Operating	Temperature	5 ~ 50 °C (40 ~ 122 °F), SED-2130/SED-2140; -30 ~ 70 °C (-22 ~ 158 °F), SED-2140T	
Power	Power Requirement	DC 12 V ±10%	
	Power Consumption	7.5 W	
Physical	Dimensions (WxHxD)	112 mm x 37.2 mm x 119 mm (4.41" x 1.46" x 4.68")	
	Weight	350 g (0.66 lb)	

ORDERING INFORMATION

Model Name	Full D1	CIF	w/ Audio	Extended Temperature
SED-2130	V			
SED-2140	V		V	
SED-2140S		V	V	
SED-2140T	V		V	V

DIMENSION DIAGRAM



Unit: mm [inch]

* All specifications are subject to change without notice.
 * All brand names and registered trademarks are the property of their respective owners.