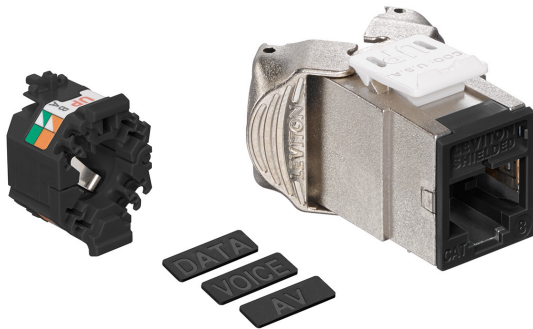


## Atlas-X1™ Cat 8 Shielded QuickPort® Connector

### APPLICATION

The Atlas-X1 Cat 8 Shielded QuickPort Connector supports 25GBASE-T networks. The shielded connector provides superior alien crosstalk (AXT) suppression and protects critical data from potential EMI/RFI (electromagnetic interference/radio frequency interference). The connector is part of a complete Atlas-X1 Cat 8 shielded system designed to support next generation BASE-T data center networks.



### SPECIFICATION

The shielded connector shall meet or exceed all Category 8 requirements described in ANSI/TIA-568-C.2-1, as well as requirements in ISO/IEC 11801 Class I. The connector shall comply with all National Electrical Codes, be compliant with ANSI/TIA-1096-A, be UL listed, and be independently verified. The connector shall be encased in a die-cast housing to protect from potential EMI/RFI. The connector shall support tool-free termination/re-termination and shall not require a specialized termination tool. The connector shall be supplied with interchangeable icons.

### PHYSICAL SPECIFICATIONS

Dimensions: See page two  
 Materials: **Connector Body:** Die-cast zinc  
**Spring-Wire Contacts:** High-quality, copper-based alloy, plated with 50 micro-inches of gold for lowest contact resistance and maximum life  
 Environmental Conditions: **Storage Temp:** -40 °C to +70 °C  
**Operating Temp:** -10 °C to +60 °C

### COUNTRY OF ORIGIN

USA

### FEATURES

- Patented Retention Force Technology (RFT) protects against time damage and increases system longevity
- For Power over Ethernet, RFT maintains contact force between plug and connector, preventing arcing from intermittent disconnects
- Shielding provides EMI/RFI protection, signal isolation, and excellent alien crosstalk (AXT) suppression
- Unique design supports tool-free termination/re-termination and requires no specialized termination tool
- Short connector design supports a wide range of installation practices and improves bend radius of Cat 8 shielded cabling
- Robust IDCs can withstand 20 re-termination cycles and connector contacts are tested for 750 plug-mating cycles to ensure system longevity
- Connector supplied with interchangeable icons (voice, data, A/V, and blank, color coded to match the connector face) for easy identification and tracking of data, voice, or other functions
- Bulk icons available separately in 13 colors
- Solid metal body dissipates 53% more heat than plastic, minimizing damage from excess heat in PoE applications
- Tine geometry prevents arcing damage where plug and connector make contact

### DESIGN CONSIDERATIONS

- Recommended for use with Leviton 1RU/24-port and 2RU/48-port shielded QuickPort patch panels
- Terminates from 26 to 22-gauge solid or stranded conductor, and especially designed to support solid 22 gauge S/FTP Cat 8 cable

### STANDARDS COMPLIANCE

- ANSI/TIA-568-C.2-1
- ISO/IEC 11801 Class I
- cULus Listed
- IEC 60603-7
- IEC 60512-99-001
- UL 2043 Plenum Certified
- RoHS 2
- ANSI/TIA-1096-A (formerly FCC Part 68)
- IEEE 802.3at (Type 1) Power over Ethernet (PoE) up to 15.4 watts
- IEEE 802.3at (Type 2) PoE+ up to 30 watts
- IEEE Draft 802.3bt (Type 3) PoE+ up to 60 watts
- IEEE Draft 802.3bt (Type 4) PoE+ up to 100 watts — maximum cable bundle limit of 100 cables
- Cisco Universal Power Over Ethernet (UPOE) up to 60 watts
- Power over HDBaseT™ (PoH) up to 100 watts

81SJK-Rx8

<b>Leviton Network Solutions</b> 2222 - 222nd St. SE Bothell, WA 98021-4416  tel 1-800-824-3005 tel +1-425-486-2222 appeng@leviton.com www.leviton.com	<b>Asia / Pacific</b> T +1.631.812.6228 E infoasean@leviton.com	<b>Canada</b> T +1.514.954.1840 E pcservice@leviton.com	<b>Caribbean</b> T +1.954.593.1896 E infoacaribbean@leviton.com	<b>China</b> T +852.2774.9876 E infochina@leviton.com	<b>Colombia</b> T +57.1.743.6045 E infocolombia@leviton.com
	<b>Europe</b> T +44.0.1592.772124 E customerservice@brand-rex.com	<b>India / SAARC</b> T +971.4.886.4722 E infoindia@leviton.com	<b>Mexico</b> T +52.55.5082.1040 E lsamarketing@leviton.com	<b>Middle East &amp; Africa</b> T +971.4.886.4722 E lmeinfo@leviton.com	<b>South Korea</b> T +82.2.3273.9963 E infokorea@leviton.com

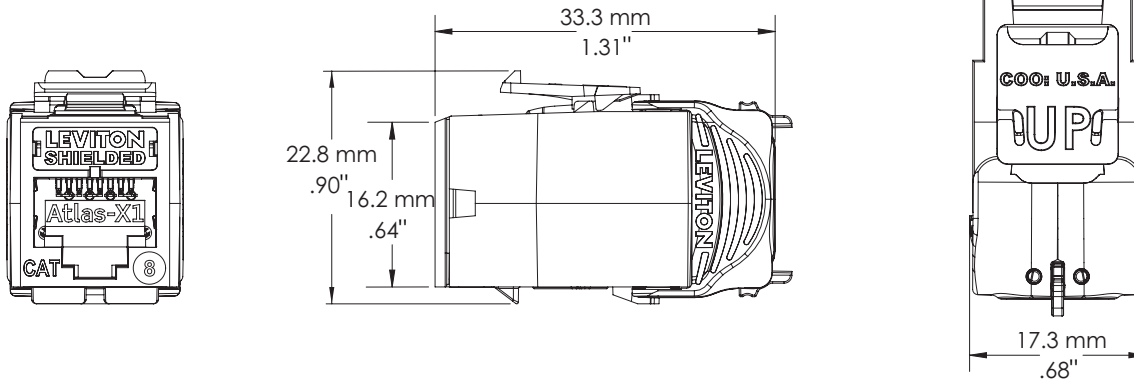
**WARRANTY INFORMATION**

**Note:** Limited Product and Limited Extended Warranties are rendered VOID if the installed structured cabling system is used for PoE applications that exceed the product's specified power rating.  
For a copy of Leviton product warranties, visit [www.leviton.com/warranty](http://www.leviton.com/warranty).

**ELECTRONIC FILES**

For CAD files, typical specs, or technical drawings (.DXF, .DWG), visit [www.leviton.com](http://www.leviton.com).

81SJK-Rx8

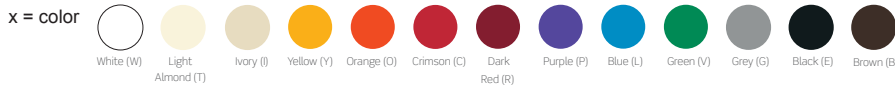


**PART NUMBERS**

Description	Connector
Atlas-X1™ Cat 8 Shielded QuickPort Connector, grey	81SJK-RG8
Atlas-X1 Cat 8 Shielded QuickPort Connector, black	81SJK-RE8

Bulk wire managers (AXSJK-BEM) can be ordered separately in 10-quantity packs.

Icons (ICONS-ICx) are available in 13 difference colors, and can be ordered separately in 72-quantity packs.



<p><b>Leviton Network Solutions</b> 2222 - 222nd St. SE Bothell, WA 98021-4416</p> <p>tel 1-800-824-3005 tel +1-425-486-2222 appeng@leviton.com www.leviton.com</p>	<p><b>Asia / Pacific</b> T +1.631.812.6228 E infoasean@leviton.com</p>	<p><b>Canada</b> T +1.514.954.1840 E pcservice@leviton.com</p>	<p><b>Caribbean</b> T +1.954.593.1896 E infocaribbean@leviton.com</p>	<p><b>China</b> T +852.2774.9876 E infochina@leviton.com</p>	<p><b>Colombia</b> T +57.1.743.6045 E infocolombia@leviton.com</p>
	<p><b>Europe</b> T +44.0.1592.772124 E customerservice@brand-rex.com</p>	<p><b>India / SAARC</b> T +971.4.886.4722 E infoindia@leviton.com</p>	<p><b>Mexico</b> T +52.55.5082.1040 E lsamarketing@leviton.com</p>	<p><b>Middle East &amp; Africa</b> T +971.4.886.4722 E lmeinfo@leviton.com</p>	<p><b>South Korea</b> T +82.2.3273.9963 E infokorea@leviton.com</p>