

Atlas-X1™ Cat 8 Patch Cords

APPLICATION

Atlas-X1 Cat 8 Shielded Patch Cords support 25GBASE-T networks. The patch cords provide superior alien crosstalk (AXT) suppression and protect critical data from potential EMI/RFI (electromagnetic interference/radio frequency interference). They are part of a complete Atlas-X1 Cat 8 shielded system designed to support next generation BASE-T data center networks.



SPECIFICATION

Patch cords shall meet or exceed all requirements for Category 8 requirements described in ANSI/TIA-568-C.2-1, as well as Class I requirements described in ISO/IEC 11801. Patch cords shall be available in standard lengths of 0.5, 1, 2, 3, 4, and 5 meters. The cable jacket shall have both a low-smoke zero-halogen and CMR flame rating, and shall be available in grey. The patch cord plug shall have industry-standard ANSI/TIA-1096-A compliant 50 micro inches of gold plating.

PHYSICAL SPECIFICATIONS

Available Lengths: See page two
Outer Diameter (O.D.): 6.2 mm (0.24")
Materials: 26-gauge, S/FTP solid conductor
Operating Temperature: 0°C to 50°C at 93% relative humidity, non condensing

FEATURES

- Snagless plug release design prevents tab breakage
- Integrated strain-relief ensures long-term network performance
- Cable construction provides excellent alien crosstalk suppression and EMI/RFI protection
- Outside diameter of 6.2 millimeters supports easier cable management
- Ideal for applications where low-smoke zero-halogen or riser materials are required

DESIGN CONSIDERATIONS

- Optimized for use as part of the Leviton Atlas-X1 Cat 8 System
- Robust die-cast plug housing provides excellent alien crosstalk suppression and EMI/RFI protection for reliable performance at frequencies up to 2 GHz
- 0.5-meter cords are intended for direct-attach cable applications, and channel configurations should use patch cords between 1- and 5-meter lengths

STANDARDS COMPLIANCE

- ANSI/TIA-568-C.2-1
- ISO/IEC 11801 Class I
- IEC 60332-1-2
- IEC 61034-1 and 2
- cULus listed
- ANSI/TIA-1096-A (formerly FCC Part 68)
- IEEE 802.3at (Type 1) Power over Ethernet (PoE) up to 15.4 watts
- IEEE 802.3at (Type 2) PoE+ up to 30 watts
- IEEE Draft 802.3bt (Type 3) PoE+ up to 60 watts
- IEEE Draft 802.3bt (Type 4) PoE+ up to 100 watts — maximum cable bundle limit of 100 cables
- Cisco Universal Power Over Ethernet (UPOE) applications up to 60 watts
- Power over HDBaseT™ (PoH) applications up to 100 watts

COUNTRY OF ORIGIN

United Kingdom

WARRANTY INFORMATION

Note: Limited Product and Limited Extended Warranties are rendered VOID if the installed structured cabling system is used for PoE applications that exceed the product's specified power rating.

For a copy of Leviton product warranties, visit www.leviton.com/warranty.

Leviton Network Solutions

2222 - 222nd St. SE
Bothell, WA 98021-4416

tel 1-800-824-3005
tel +1-425-486-2222
appeng@leviton.com
www.leviton.com

Asia / Pacific

T +1.631.812.6228
E infoasean@leviton.com

Europe

T +44.0.1592.772124
E customerservice@brand-rex.com

Canada

T +1.514.954.1840
E pcservice@leviton.com

India / SAARC

T +971.4.886.4722
E infoindia@leviton.com

Caribbean

T +1.954.593.1896
E infocaribbean@leviton.com

Mexico

T +52.55.5082.1040
E lsamarketing@leviton.com

China

T +852.2774.9876
E infochina@leviton.com

Middle East & Africa

T +971.4.886.4722
E lmeinfo@leviton.com

Colombia

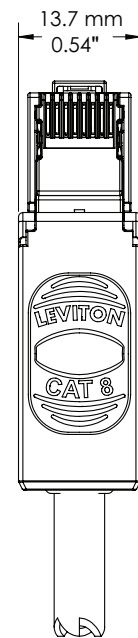
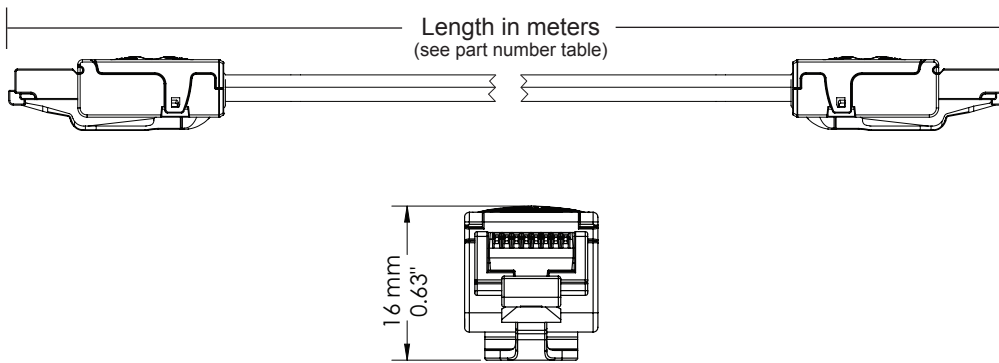
T +57.1.743.6045
E infocolombia@leviton.com

South Korea

T +82.2.3273.9963
E infokorea@leviton.com

ELECTRONIC FILES

For CAD files, typical specs, or technical drawings (.DXF, .DWG), visit www.leviton.com.



81Z10-Sxx

PART NUMBERS

Description	Part No.
Atlas-X1™ Cat 8 Patch Cord, CMR/LSZH, Grey, 0.5-meter length*	81Z10-SD5
Atlas-X1 Cat 8 Patch Cord, CMR/LSZH, Grey, 1-meter length	81Z10-S01
Atlas-X1 Cat 8 Patch Cord, CMR/LSZH, Grey, 2-meter length	81Z10-S02
Atlas-X1 Cat 8 Patch Cord, CMR/LSZH, Grey, 3-meter length	81Z10-S03
Atlas-X1 Cat 8 Patch Cord, CMR/LSZH, Grey, 4-meter length	81Z10-S04
Atlas-X1 Cat 8 Patch Cord, CMR/LSZH, Grey, 5-meter length	81Z10-S05

* 0.5-meter cords are intended for direct-attach cable applications. Channel configurations should use patch cords between 1- and 5-meter lengths.



Leviton Network Solutions 2222 - 222nd St. SE Bothell, WA 98021-4416 tel 1-800-824-3005 tel +1-425-486-2222 appeng@leviton.com www.leviton.com	Asia / Pacific T +1.631.812.6228 E infoasean@leviton.com	Canada T +1.514.954.1840 E pcservice@leviton.com	Caribbean T +1.954.593.1896 E infocaribbean@leviton.com	China T +852.2774.9876 E infochina@leviton.com	Colombia T +57.1.743.6045 E infocolombia@leviton.com
	Europe T +44.0.1592.772124 E customerservice@brand-rex.com	India / SAARC T +971.4.886.4722 E infoindia@leviton.com	Mexico T +52.55.5082.1040 E lsamarketing@leviton.com	Middle East & Africa T +971.4.886.4722 E lmeinfo@leviton.com	South Korea T +82.2.3273.9963 E infokorea@leviton.com